

Highland Tanks Pty Ltd trading as

## Ultra Clear

### Wastewater Treatment Systems

ABN 93 090 907 725

PO Box 1158, MITTAGONG NSW 2575

Phone: 02 4871 2156

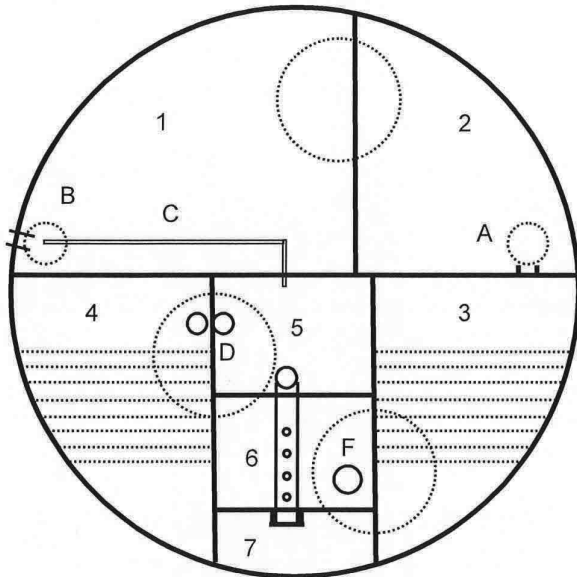
### Model ST10

Aerated Wastewater Treatment System suitable to deal with WC's and all waste on residential premises

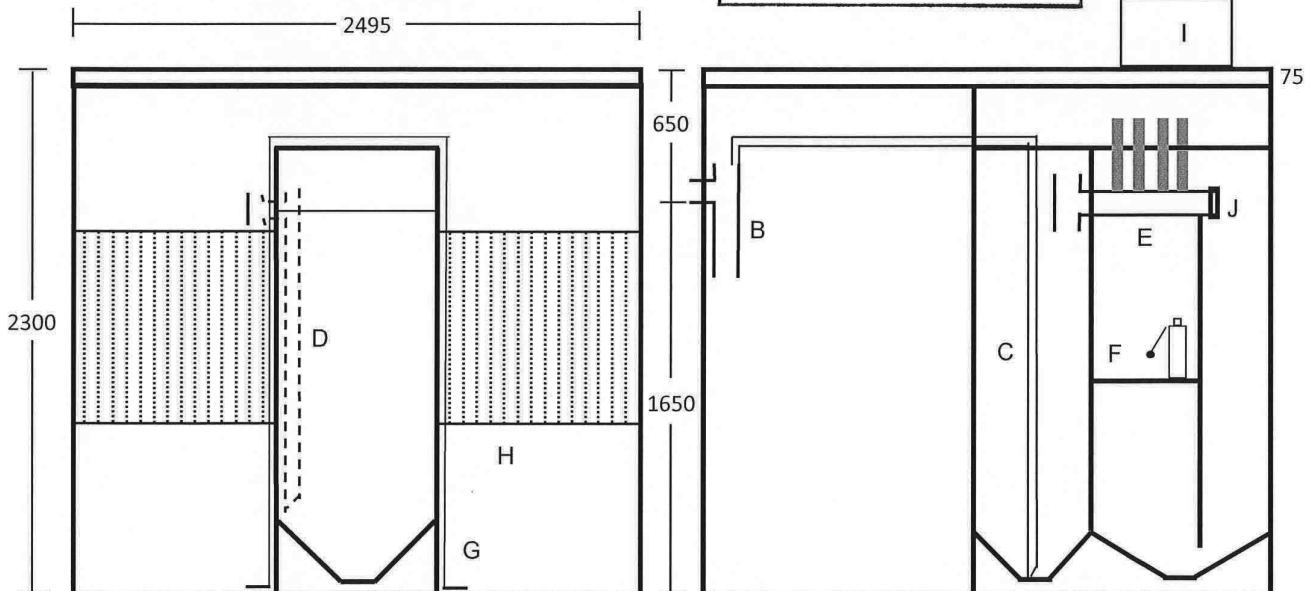
Drawn & Designed by: DW Rebbeck  
UCST10SD 55 Revision 2 21/09/2020

No.	Capacity	Description
1	1850 litres	Primary Chamber 1
2	1050 litres	Primary Chamber 2
3	1275 litres	Aerobic Chamber 1
4	1275 litres	Aerobic Chamber 2
5	450 litres	Settling Chamber
6/7	500 litres	Disinfection Pump Chamber
	<b>6400 litres</b>	<b>Total Capacity</b>

No.	Description Parts	No.	Description Parts
A	Flow pipe primary to aeration	F	Pump ledge and pump
B	Inlet square	G	Air line and diffuser
C	Sludge return pipe	H	Media pack
D	Flow pipe aeration to settling chamber	I	Blower and electrical housing cover
E	Chlorinator	J	Chlorine adjustor



**ACCREDITED**  
1 FEB 2021  
NSW MINISTRY OF HEALTH



Collection wells manufactured by **Highland Tanks**  
PO Box 1158, MITTAGONG NSW 2575  
16 Gantry Place, BRAEMAR NSW 2575  
Phone: 02 4871 2156

All Septic Tanks & Collection Wells are manufactured to comply with Australian Standards AS/NZS 1546.1:2008  
All internal and sundries supplied by  
**Ultra Clear Wastewater Treatment Systems**