

HIGHLAND TANKS PTY LTD trading as

ULTRA CLEAR

WASTEWATER TREATMENT SYSTEMS

AN 080 807 725
 PO BOX 1158, MITTAGONG NSW 2575
 PHONE: 02 4889 8288 FAX: 02 4889 8566

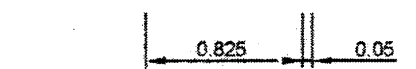
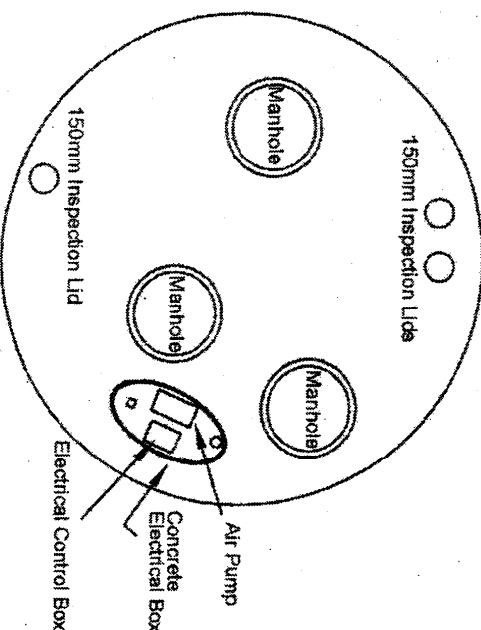
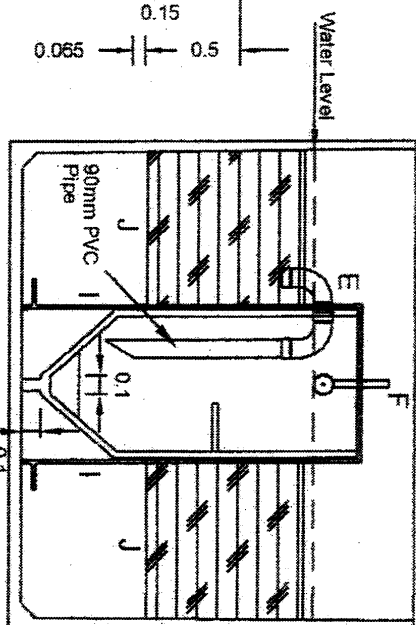
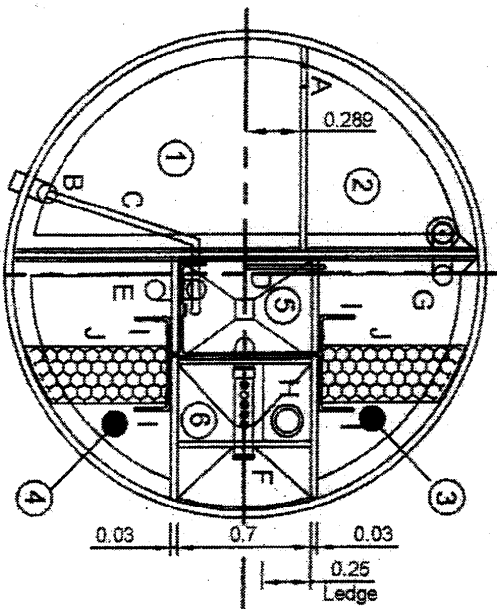
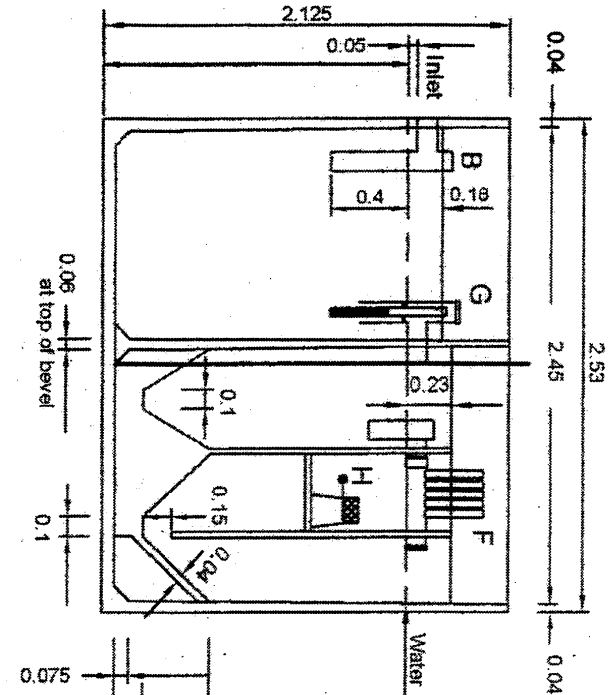


AERATED WASTEWATER TREATMENT SYSTEM
 MODEL ST10
 SUITABLE TO DEAL WITH WCS & ALL WASTE ON RESIDENTIAL PREMISES.

SPECIFICATION FOR
 Name _____
 Installation _____
 Address _____
 No. of Persons _____

Drawn by: L. TASKER Design by: D. W. REBBECK

No.	Capacity	Description
1	2001 Ltrs	Primary Chamber 1
2	1005 Ltrs	Primary Chamber 2
3	1273 Ltrs	Aerobic Chamber 1
4	1273 Ltrs	Aerobic Chamber 2
5	433 Ltrs	Settling Chamber
6	591 Ltrs	Disinfection Pump Chamber



No.	Description
A	Flow Hole Primary 1 to Primary 2.
B	Inlet Square
C	Sludge Return Pipe
D	Scum Skimmer
E	Flow Pipe Aeration to Settling Chamber
F	Chlorinator
G	Flow Restrictor
H	Pump Ledge and Pump
I	Air Diffuser Line
J	Media Pack

Parts Index

All internal and sundries supplied and installed by ULTRA CLEAR WASTEWATER TREATMENT SYSTEMS
 UCST10SD 25 Revision 2 26/11/2009

COLLECTION WELLS manufactured by Highland Concrete Tanks
 PO Box 1158, MITTAGONG NSW 2575 Factory: 17 Drapers Road, BRAEMAR
 PHONE: 02 4889 8288 FAX: 02 4889 8566
 All Septic Tanks & Collection Wells are manufactured to comply with Australian Standards AS/NZS 1546.1:2008.

APPROVED

25 NOV 2009

DEPARTMENT OF HEALTH, N.S.W.